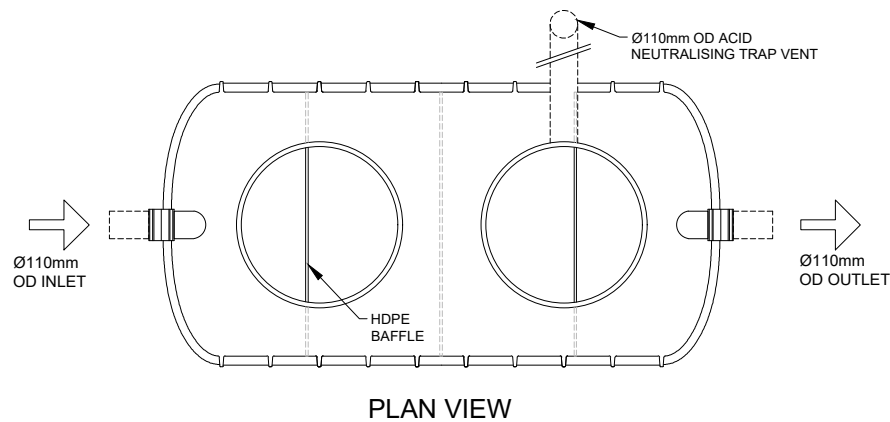
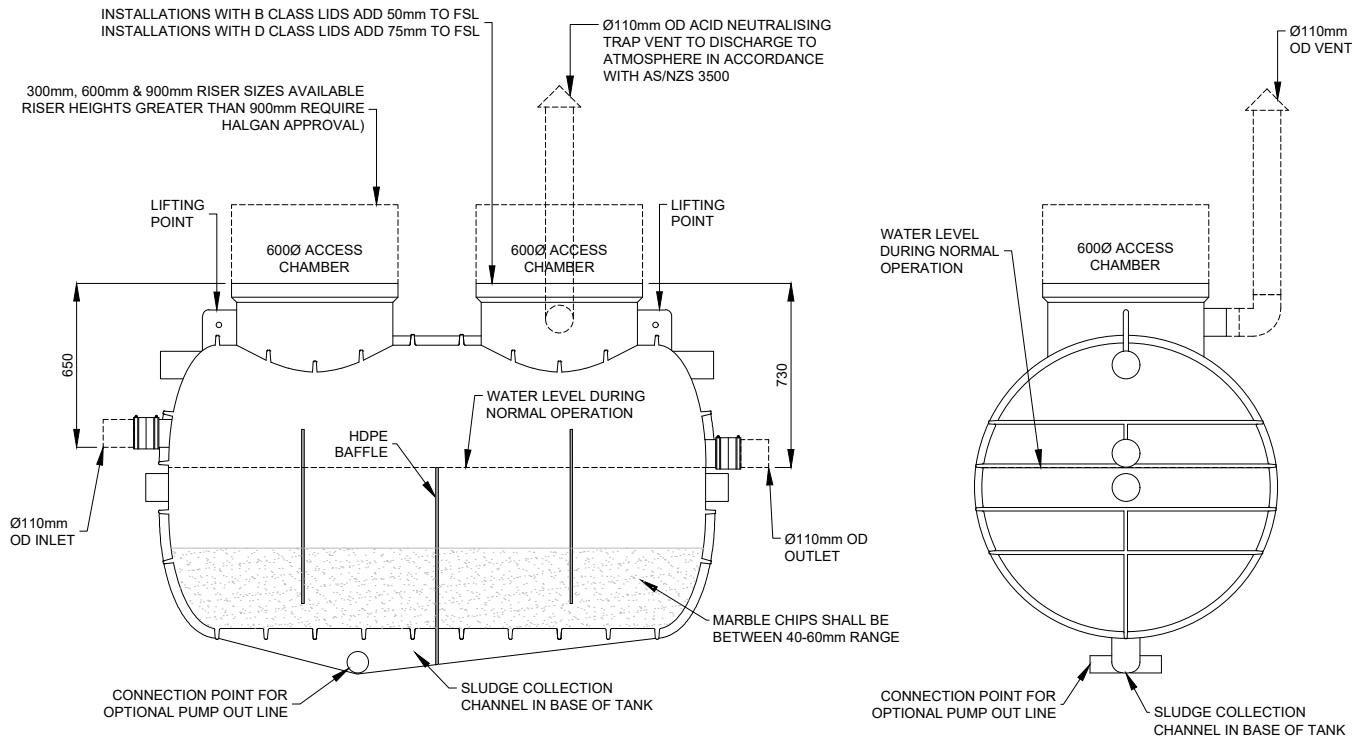


HALGAN™ HANS 1000 ACID NEUTRALISING TRAP DETAIL

Notes

1. **General**
 - 1.1. Tank constructed from Polyethylene.
 - 1.2. The Vessel is to be installed in a location that will not cause a nuisance, obstruct fire access, cannot be vandalised or be damaged by vehicles.
 - 1.3. The Vessel must have ease of access to pumpout point for maintenance.
 - 1.4. A hose tap fitted with RPZD backflow protection (as per AS/NZS 3500).
 - 1.5. Non standard installations require Halgan approval.
2. **Installation above ground**
 - 2.1. The Vessel is to be supported on a 100mm thick concrete pad.
 - 2.2. A stand is available for S Series models if required.
 - 2.3. Any maintenance platform must be designed in accordance with Australian Standard 1657 allowing safe access while inspecting and maintaining the Vessel.
 - 2.4. All pipes connecting to the Vessel shall be fully supported; there shall be no stress on the tank connections.
 - 2.5. All stormwater must be diverted away from the Vessel to prevent undermining of foundation.
3. **Installation below ground**
 - 3.1. All connections to the Vessel shall be in accordance with the appropriate authorities.
 - 3.2. Any excavation exceeding 1.5 metres in depth shall comply with the construction safety acts and regulations before backfilling.
 - 3.3. The Vessel must be filled with water prior to backfilling.
 - 3.4. Riser heights greater than 900mm require Halgan approval.
4. **Excavation dimensions**
 - 4.1. The excavated hole width shall be kept as narrow as practicable. The depth shall not be greater than 150mm and the width not greater than 75mm of the tank dimensions.
5. **Over excavation**
 - 5.1. Where an excavation has been made deeper than required, the excess depth shall be filled either with 4:1 sand cement compacted to achieve 98% compaction or concrete.
6. **Bedding/Backfill**
 - 6.1. The bedding/backfill material shall be Blue Metal granular material up to 10mm diameter.
 - 6.2. The bedding/backfill shall be thoroughly compacted by tampering at 300 mm layers.
 - 6.3. The bedding/backfill material shall encase the whole tank.
 - 6.4. Foreign material such as builder's waste, bricks, and concrete shall not be used as backfill.
 - 6.5. The backfill shall be compacted to restore the excavated hole as near as practicable to the normal ground.
7. **Water Charged Ground**
 - 7.1. Installation in areas subject to flooding & groundwater is only permitted when the level of water does not exceed the height of the middle of the tank.
 - 7.2. In areas of heavy, clay-like soils, the installation is only permitted when there is sufficient drainage underneath the body of the tank.



HALGAN™ HANS 1000 ACID NEUTRALISING TRAP DIMENSIONS DIMENSIONS DO NOT INCLUDE PIPEWORK OR ACCESS LIDS					
MODEL	HEIGHT	WIDTH	LENGTH	VOLUME	WEIGHT
HANS1000	1550mm	1130mm	2280mm	1000L	137KG



THIS DRAWING AND THE INFORMATION CONTAINED HEREON ARE THE PROPERTY OF HALGAN PTY LTD AND MUST NOT BE COPIED, REPRODUCED OR USED WITHOUT THE WRITTEN PERMISSION OF HALGAN PTY LTD.
DO NOT SCALE IF IN DOUBT ASK



Freecall 1800 626 753
10, Davis Road
Wetherill Park NSW 2164
141, Magnesium Drive
Crestmead QLD 4132
info@halgan.com.au
www.halgan.com.au

MEASUREMENTS
CAN VARY ± 3%

HALGAN™ HANS 1000
ACID NEUTRALISING TRAP
DETAIL

DRAWN	JV	DATE	22.08.2019
CHECKED	JC	SCALE	1:30
DWG NO.	HANS1000	REV.	A4
			A

REV	DATE	DESCRIPTION	BY	CHKD	APP
A	22.08.2019	DETAIL DESIGN	JV	JC	KH