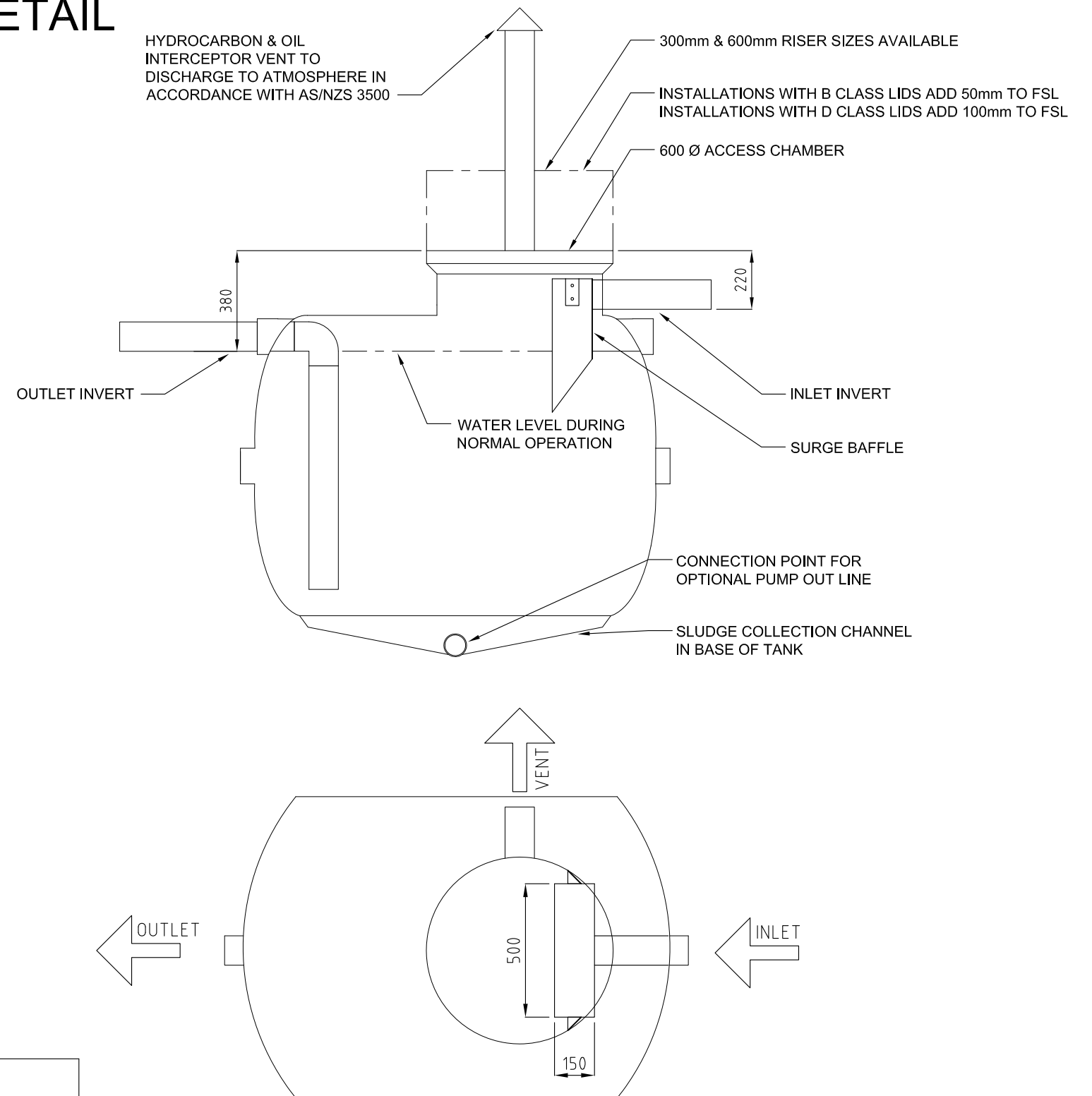


HALGAN 1000 LITRE S SERIES HYDROCARBON & OIL INTERCEPTOR DETAIL

Notes

1. **Product**
Halgan Hydrocarbon and Oil Interceptor are manufactured from chemical grade polyethylene. The Halgan Hydrocarbon and Oil Interceptor can be installed above and below ground. The design is to slow the influent to allow oil and solvents to separate before discharging to the sewer system.
2. **Application**
The Halgan Hydrocarbon and Oil Interceptor is used for treatment of waste water from commercial dischargers. For example petrol stations, mechanical workshops, and garages and stormwater runoff. Refer to the local Trade Waste Standards. This standard outlines all the discharge parameter limits that can be accepted into the sewerage system.
3. **Sizing**
For correct sizing refer to your local Liquid Trade Waste Department.
All Trade Waste customers require a Trade Waste Agreement or Consent prior to any discharge commencing.
4. **General**
 - 4.1. Tank constructed from Polyethylene.
 - 4.2. The Halgan Hydrocarbon and Oil Interceptor is to be installed in a location that will not cause a nuisance, obstruct fire access, cannot be vandalised or be damaged by vehicles.
 - 4.3. The Hydrocarbon and Oil Interceptor must have ease of access to pumpout point for maintenance.
 - 4.4. A hose tap fitted with RPZD backflow protection (as per AS/NZS 3500) must be installed within 5 metres of the Hydrocarbon and Oil Interceptor for maintenance and cleaning.
5. **Installation above ground**
 - 5.1. The Hydrocarbon and Oil Interceptor is to be supported on a 100mm thick concrete pad. A stand is available for the Halgan S Series Hydrocarbon and Oil Interceptor if required.
 - 5.2. Any maintenance platform must be installed in accordance with Australian Standard 1657-1992 allowing safe access while inspecting and maintaining the Hydrocarbon and Oil Interceptor.
 - 5.3. All pipes connecting to the Hydrocarbon and Oil Interceptor shall be fully supported, there shall be no stress on the tank connections.
 - 5.4. All stormwater must be diverted away from the Hydrocarbon and Oil Interceptor to prevent undermining of foundation.
6. **Installation below ground**
 - 6.1. All connections to the Hydrocarbon and Oil Interceptor shall be in accordance with the appropriate authorities.
 - 6.2. Any excavation exceeding 1.5 metres in depth shall comply with the construction safety acts and regulations before backfilling.
 - 6.3. The Hydrocarbon and Oil Interceptor must be filled with water prior to backfilling.
7. **Excavation dimensions**
 - 7.1. The excavated hole width shall be kept as narrow as practicable. The depth shall not be greater than 150mm more than the required depth.
 - 7.2. 75mm clearance is required at the sides of tank.
8. **Over excavation**
 - 8.1. Where an excavation has been made deeper than required, the excess depth shall be filled either with bedding material compacted to achieve 98% compaction or concrete.
9. **Water Charged Ground**
 - 9.1. Where installation is in high water table or water charged ground, mine subsidence, filled or unstable areas, the services of a qualified structural engineer is required for certification.
10. **Bedding material**
 - 10.1. The bedding material shall be 1 part Portland cement to 4 parts clean sand.
 - 10.2. The bedding shall be thoroughly compacted by tamping at 300 mm layers.
 - 10.3. The bedding material shall encase the whole tank.
11. **Final Backfill**
 - 11.1. The final backfill material shall comply with the following:
 - 11.1.a. Spoil from the excavation of the trench may be used.
 - 11.1.b. Foreign material such as builder's waste, bricks, and concrete shall not be used.
 - 11.1.c. The backfill shall be compacted to restore the excavated hole as near as practicable to the normal ground.



HALGAN HHOIS DIMENSIONS

MODEL	HEIGHT	WIDTH	LENGTH	VOLUME	WEIGHT	A (INLET)	B (OUTLET)
HHOIS 1000	1515mm	1130mm	1600mm	1000 L	90KG	220mm	380mm

<p>THIS DRAWING AND THE INFORMATION CONTAINED HEREON ARE THE PROPERTY OF HALGAN PTY LTD AND MUST NOT BE COPIED, REPRODUCED OR USED WITHOUT THE WRITTEN PERMISSION OF HALGAN PTY LTD.</p>						<p>HALGAN 1000 LITRE S SERIES HYDROCARBON & OIL INTERCEPTOR DETAIL</p>		<p>X X X X X</p>	<p>DRAWN DN</p> <p>CHECKED SM</p> <p>DWG. NO. HHOIS1000</p>	<p>DATE 30.10.2012</p> <p>SCALE 1:20</p> <p>REV. A</p>
REV	DATE	DESCRIPTION	BY	CHKD	APP	IF IN DOUBT ASK	3rd ANGLE	REF. DWG.	TITLE	