

HALGAN MGTR 20000 GREASE TRAP DETAIL

Notes

1. General

- 1.1. Tank constructed from Polyethylene.
- 1.2. Is to be installed in a location that will not cause a nuisance, obstruct fire access, cannot be vandalised or be damaged by vehicles.
- 1.3. Must have ease of access to pumpout point for maintenance.
- 1.4. Non standard installations require Halgan approval.

2. Installation above ground

- 2.1. The Halgan Tanks to be supported on a 100mm thick concrete pad.
- 2.2. A stand is available for models if required.
- 2.3. Any maintenance platform must be installed in accordance with Australian Standard 1657-1992 allowing safe access while inspecting and maintaining.
- 2.4. All pipes connecting shall be fully supported; there shall be no stress on the tank connections.
- 2.5. All stormwater must be diverted away to prevent undermining of foundation.

3. Installation below ground

- 3.1. All connections shall be in accordance with the appropriate authorities.
- 3.2. Any excavation exceeding 1.5 metres in depth shall comply with the construction safety acts and regulations before backfilling.
- 3.3. Must be filled with 2/3 with water prior to backfilling.
- 3.4. Riser heights greater than 900mm require Halgan approval.

4. Excavation dimensions

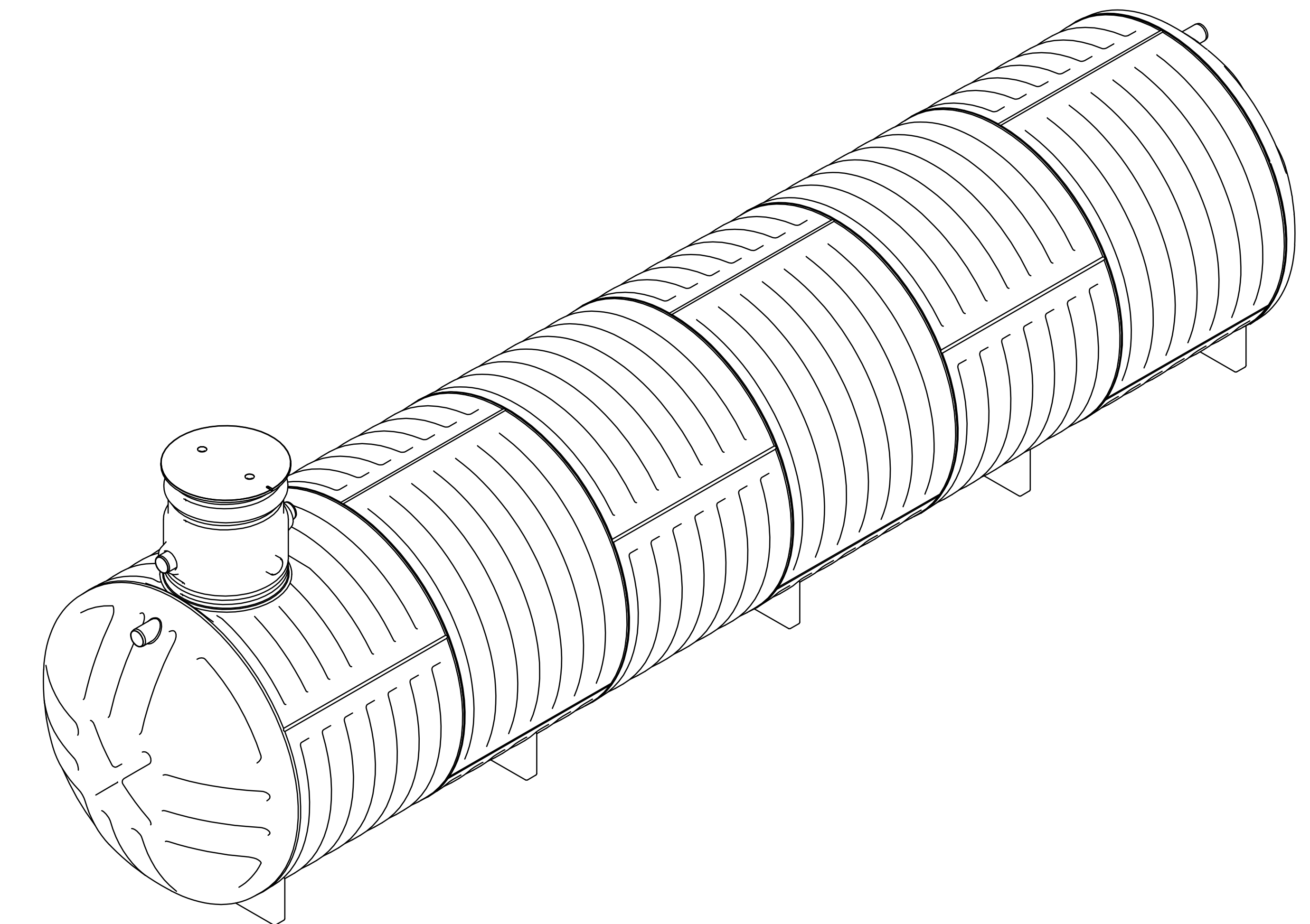
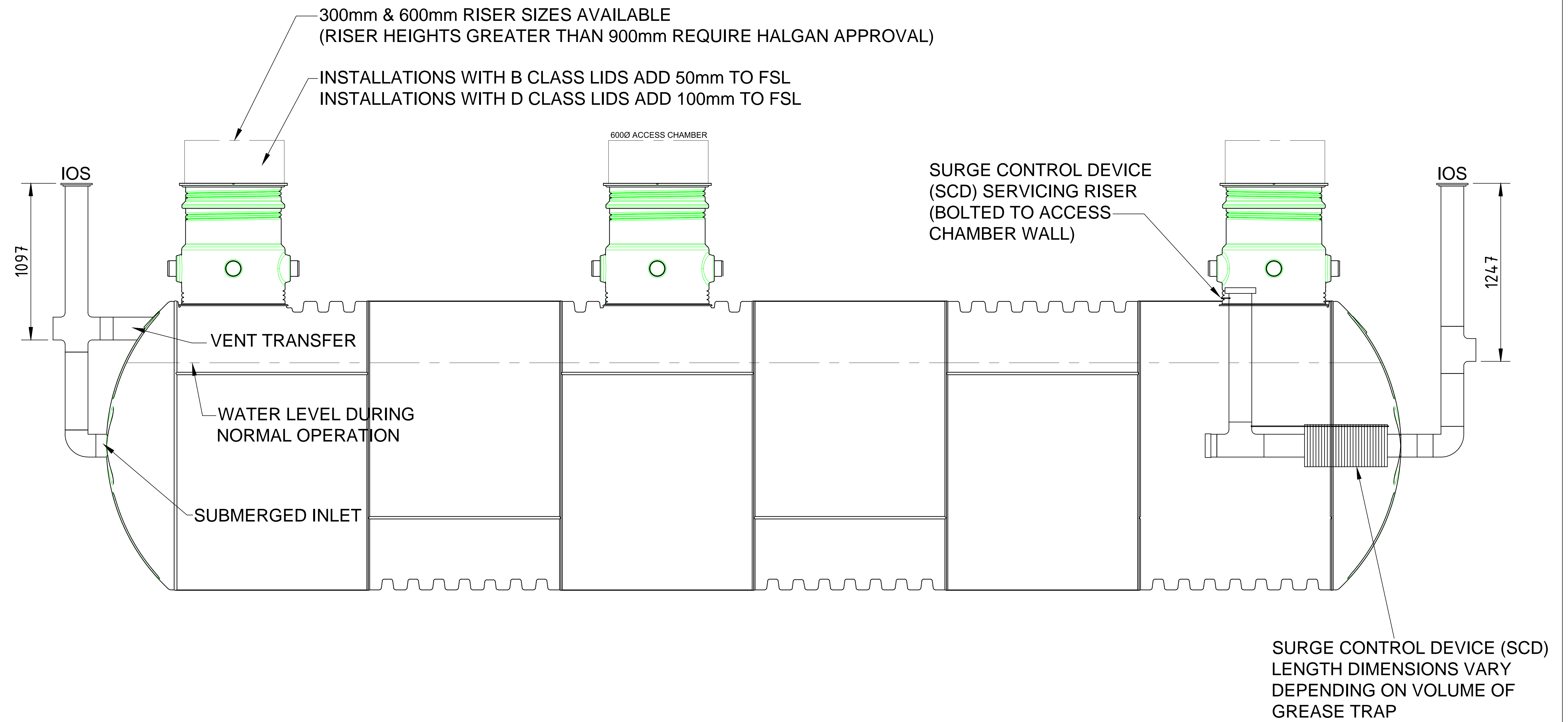
- 4.1. The excavated hole width shall be kept as narrow as practicable. The depth shall not be greater than 150mm more than the required depth. **DO NOT EXCEED EXCAVATED DEPTH.**
- 4.2. 100mm clearance is required at the sides of tank.
- 4.3. If the excavated hole floor is not strong enough to support the tank full, 100 mm reinforced concrete base is required,
- 4.4. Where the base material has poor drainage (clay), then suitable & sufficient drainage is required.

5. Over excavation

- 5.1. Where an excavation has been made deeper than required, the excess depth shall be filled with concrete.

6. Backfill

- 6.1. The backfill material shall be granular material up to 10mm diameter.
- 6.2. The backfill up to the heights of the inlet/outlet connections.
- 6.3. The backfill shall be thoroughly compacted by tamping at 300 mm layers.
- 6.4. The backfill material above the the inlet/outlet connections shall be 600 mm deep ballast material with a density of < 1700 kg/m3.
- 6.5. The final backfill is top soil free from foreign material such as builder's waste, bricks, and rocks.
- 6.6. The backfill shall be compacted to restore the excavated hole as near as practicable to the normal ground.
- 7.2. Optional extra Anchoring kits available.
- 8.0. Larger pipe connections available.



HALGAN AQUA 20000 DIMENSIONS

MODEL	HEIGHT	WIDTH	LENGTH	VOLUME	WEIGHT
MGTR 20000	2850mm	2024mm	9030mm	20000 L	1340 KG

REV	DATE	DESCRIPTION	BY	CHKD	APP
A	xxx	DETAIL DESIGN	KB	SM	KH

THIS DRAWING AND THE INFORMATION CONTAINED HEREON ARE THE PROPERTY OF HALGAN PTY LTD AND MUST NOT BE COPIED, REPRODUCED OR USED WITHOUT THE WRITTEN PERMISSION OF HALGAN PTY LTD.

DO NOT SCALE IF IN DOUBT ASK



halgan pty ltd
halgan.com.au

Freecall 1800 626 753
PO Box 255
Collaroy NSW 2097
admin@halgan.com.au
www.halgan.com.au



MGTR 20,000 DETAIL

DRAWN	DATE	
KB	22.02.2013	
CHECKED	SCALE	A3
SM	1:50	
DWG. NO.	REV.	
MGTR 20000	A-1	