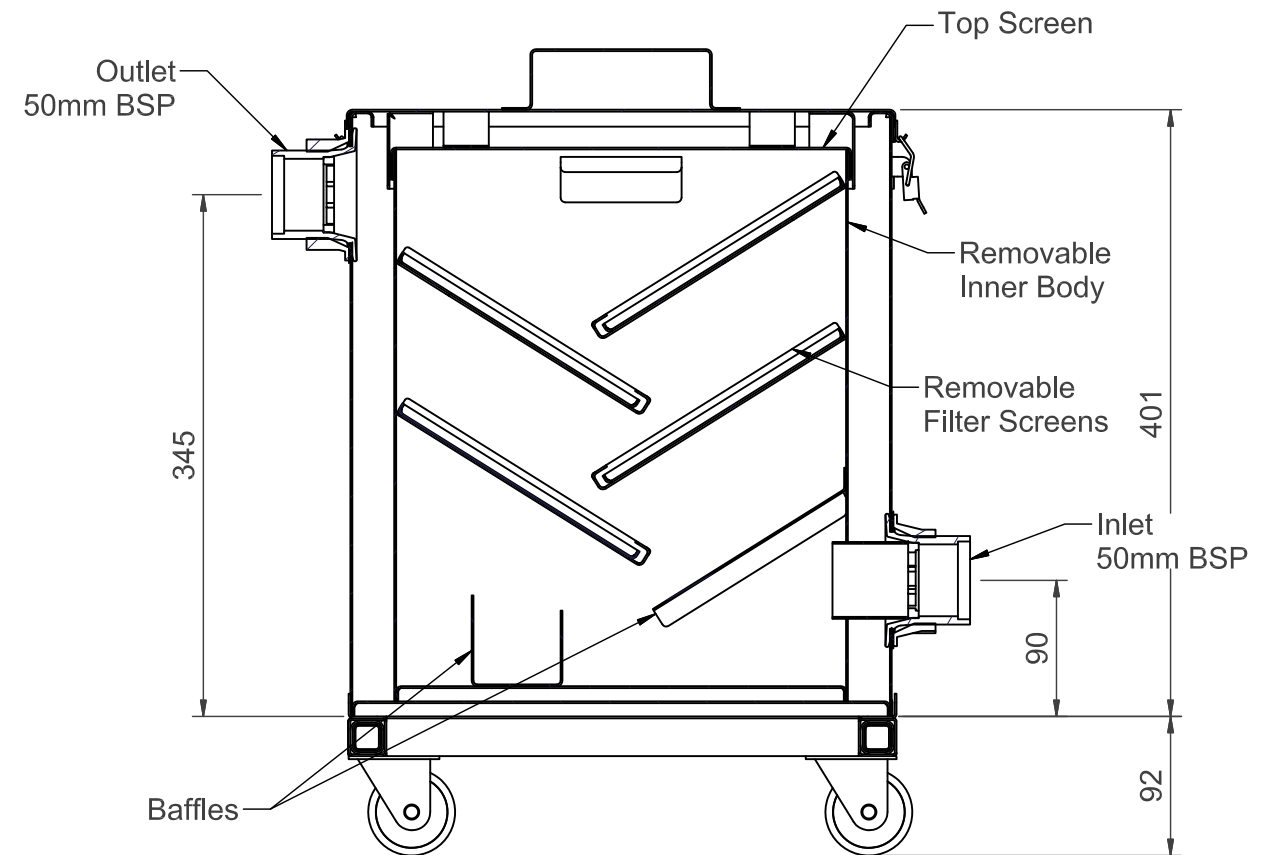
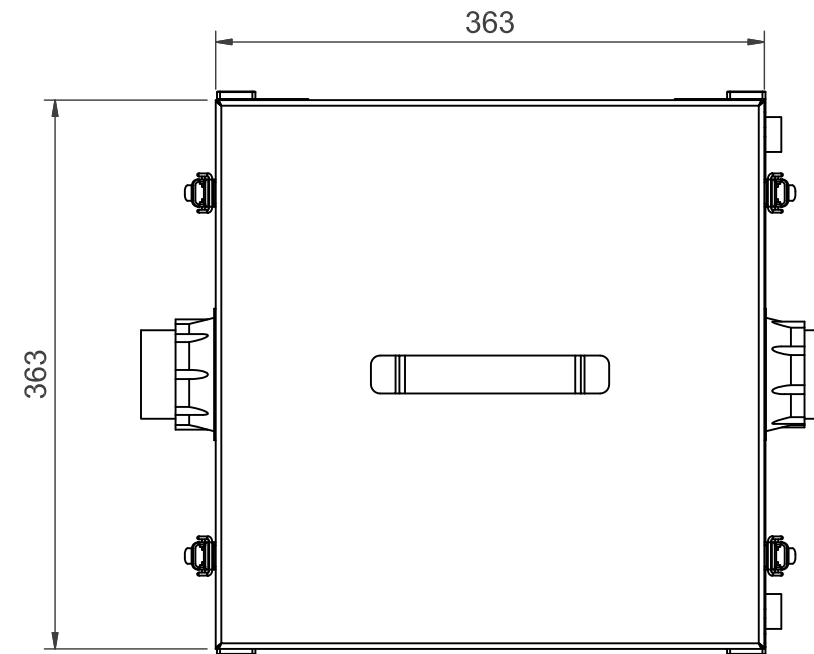


# HALGAN PLASTER TRAP DETAIL

## NOTES

1. **Product:** The Halgan Plaster Trap is used to trap plaster and other fine material in the waste water prior to discharging to the sewer system. The baffle arrangement is design to maximise the trapping of particles. The Halgan Plaster Trap is designed to be fit under benches, which will reduce installation costs and provide easy access for servicing. The Halgan Plaster Trap is manufactured from 316 grade stainless steel. Wall thickness is 1.6 mm.
2. **Application:** The Halgan Plaster Trap is used for treatment of waste water from dental surgeries, doctors surgeries, jewellers, technical colleges, schools, craft centres etc.
3. **Sizing**  
For correct sizing refer to your local Liquid Trade Waste Department.  
All Trade Waste customers require a Trade Waste Agreement or Consent prior to any discharge commencing.
4. **General**
  - 4.1. Locate the Plaster Trap in a position that provides a minimum of 250mm clearance from the Lid to the underside of any obstruction for removal of Lid and Inner Filter Basket
  - 4.2. It is recommended to have a Union & Ball Valve either side of the Plaster Trap to make the maintenance & cleaning a simple and quick task
  - 4.3. Connect the 50mm Trap to the Sink Bowl Waste Outlet and the Ball Valve on the Inlet side of the PA1. Ensure the water level of the Trap is a minimum of 200mm above the water level of the Plaster Trap
  - 4.4. Test all connections for leaks before use



HALGAN PT/SS/5 DIMENSIONS				
MODEL	HEIGHT	WIDTH	LENGTH	VOLUME
PT/SS/5	401mm	363mm	363mm	50 L

						<small>THIS DRAWING AND THE INFORMATION CONTAINED HEREON ARE THE PROPERTY OF HALGAN PTY LTD AND MUST NOT BE COPIED, REPRODUCED OR USED WITHOUT THE WRITTEN PERMISSION OF HALGAN PTY LTD.</small>				<small>DRAWN</small> DN <small>DATE</small> 30.10.2012			
										<small>CHECKED</small> SM <small>SCALE</small> 1:5 <small>REV.</small> A3			
										<small>DWG. NO.</small> PT/SS/5 <small>REV.</small> A			
A	30.10.2012	DETAIL DESIGN		DN	SM	KH	DO NOT SCALE IF IN DOUBT ASK			REF. DWG.	TITLE	HALGAN PLASTER TRAP DETAIL X X X X X	
REV	DATE	DESCRIPTION	BY	CHKD	APP								